

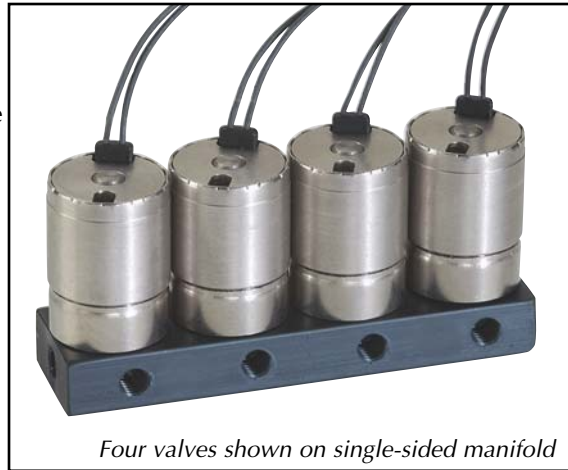


# EM STUD MOUNT 2- & 3-WAY ELECTRONIC VALVES

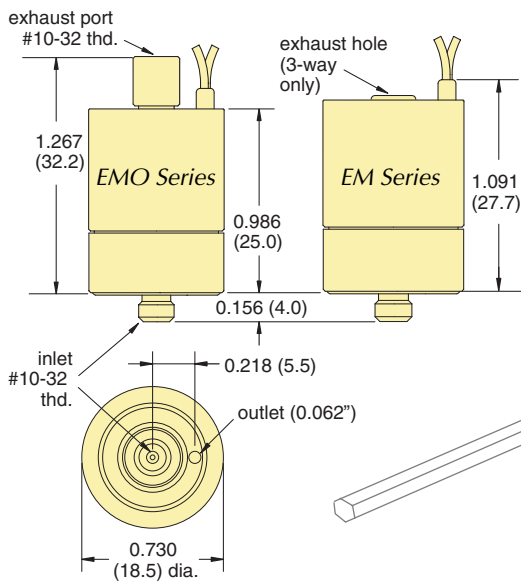
Introducing a smaller Mouse valve! When space is critical, the EM Series Valve provides the best solution.

At just over an inch tall, and less than 3/4" in diameter, the EM Valve uses Clippard's special "spider" design. This reliable and proven design for long life is housed in a miniature body, and incorporates wire leads out the top, allowing body rotation for close-center mounting. In addition, the valve features higher flow; combining fast shifting speed, extremely high cycle life with the design flexibility to make this valve a "small wonder" for demanding applications.

This valve is perfect for air and/or gas control, pilot control, and any application where space is limited, but desired performance is not.



Four valves shown on single-sided manifold



Simply tighten valves onto the manifold using a standard 1/8" Allen hex wrench. (4-10 in-lbs. Do not over-tighten)



**Valve Type:** 2-Way & 3-Way Electronic Valves, Normally-Closed and Normally-Closed/Normally-Open

**Medium:** Air or Inert Gases

**Ports:** #10-32 Exhaust (M5 optional)

**Pressure Range:**  
 28" Hg Vacuum to 105 psig;  
 -0.95 to 7 bar  
 "L" Option: 28" Hg Vacuum to 50 psig; -0.95 to 3.5 bar  
 "H" Option: 28" Hg Vacuum to 25 psig; -0.95 to 1.8 bar

**Air Flow (Normally-Closed):**  
 0.75 scfm @ 100 psig; 21 lpm @ 7 bar  
 "L" Option: 0.65 scfm @ 50 psig; 18 lpm @ 3.5 bar  
 "H" Option: 0.55 scfm @ 25 psig; 15 lpm @ 1.8 bar

**Response Time:** 10 milliseconds at nominal voltage (15 ms N-O)

**Temperature Range:** 32 to 180°F (0 to 82°C)

**Mounting:** Manifold (#10-32 stud). See Page 204.

**Voltage:** 12-Volt DC or 24-Volt DC (custom voltage options available)

**Power Consumption:** 1 Watt

**Seal Material:** Buna-N Standard, FKM and EPDM optional (others on request)

Operation		Type		Voltage		Orifice		Options	
	Order Code		Order Code		Order Code		Order Code		Order Code
Normally-Closed	(blank)	2-Way	2	12-Volt DC	12	0.025"	(blank)	Buna-N Seals	(blank)
						0.040"	L	FKM Seals	V
Normally-Closed/ Normally-Open	O	3-Way	3	24-Volt DC	24	0.060"	H	EPDM Seals	E
								Metric Ports	M5

Example: EMO-3-12-L

